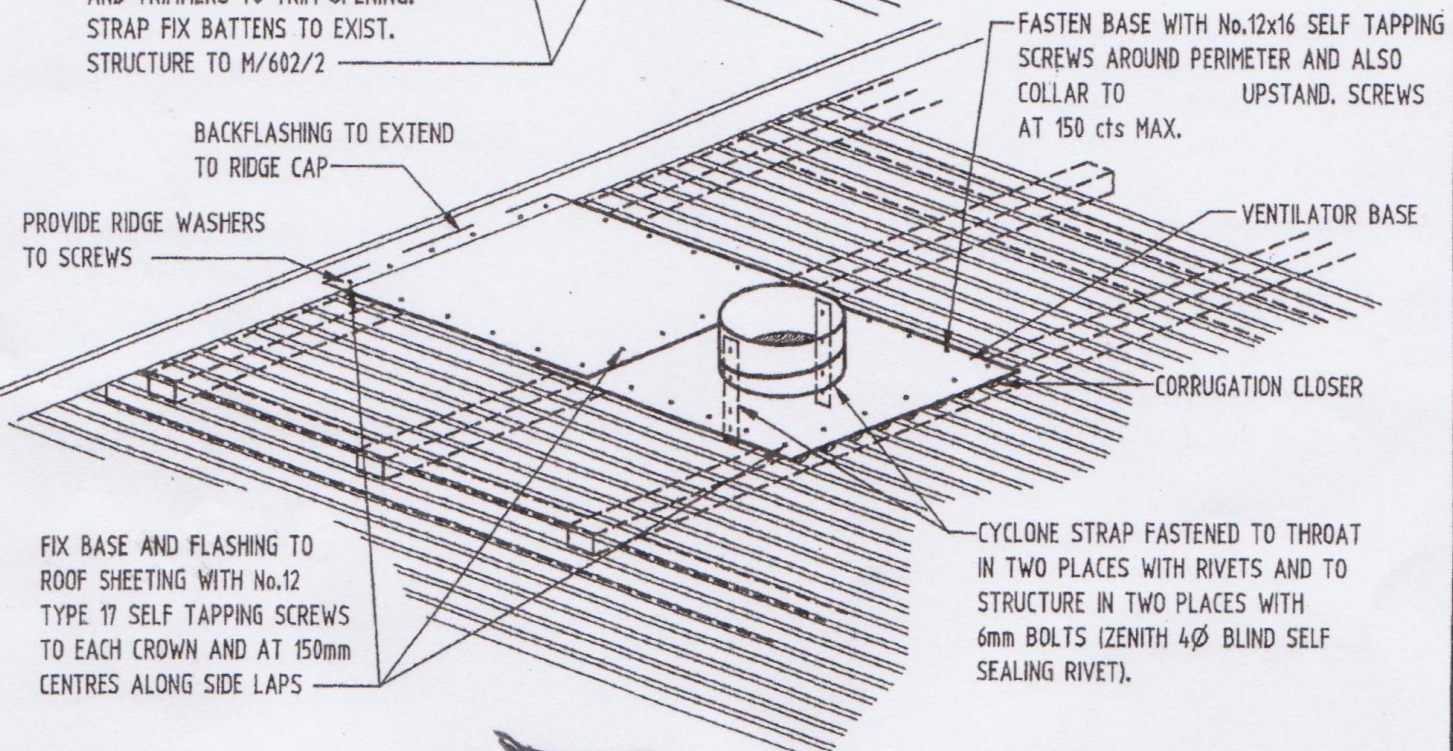


INSTALL NEW 75x50 HW ROOF BATTENS AND TRIMMERS TO TRIM OPENING. STRAP FIX BATTENS TO EXIST. STRUCTURE TO M/602/2

75x50 HW MIN.



BACKFLASHING TO EXTEND TO RIDGE CAP

PROVIDE RIDGE WASHERS TO SCREWS

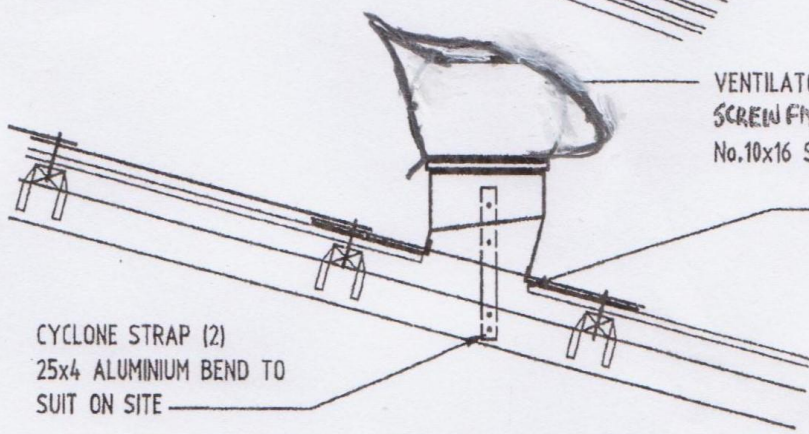
FASTEN BASE WITH No.12x16 SELF TAPPING SCREWS AROUND PERIMETER AND ALSO COLLAR TO UPSTAND. SCREWS AT 150 cts MAX.

VENTILATOR BASE

CORRUGATION CLOSER

FIX BASE AND FLASHING TO ROOF SHEETING WITH No.12 TYPE 17 SELF TAPPING SCREWS TO EACH CROWN AND AT 150mm CENTRES ALONG SIDE LAPS

CYCLONE STRAP FASTENED TO THROAT IN TWO PLACES WITH RIVETS AND TO STRUCTURE IN TWO PLACES WITH 6mm BOLTS (ZENITH 4Ø BLIND SELF SEALING RIVET).



VENTILATOR SEABREEZER  
SCREW FIX BASE WITH MIN. OF FOUR No.10x16 SELF TAPPING SCREWS

TURN UP ENDS OF CORRUGATIONS (OR TRAYS OF METAL DECK ROOF)

CYCLONE STRAP (2)  
25x4 ALUMINIUM BEND TO SUIT ON SITE

STRUCTURALLY CERTIFIED BY HEINER STRUCTURAL ENGINEERING CONSULTANTS PTY LTD

REG No. 52229ES

SIGNED .....

DATED: 05/06/2010



Seabreezer Fitting Instructions for a METAL Roof