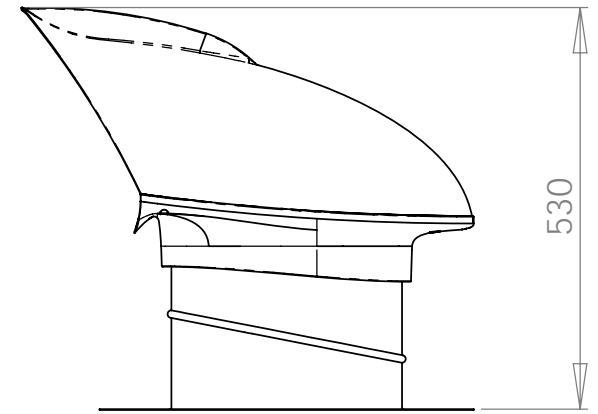
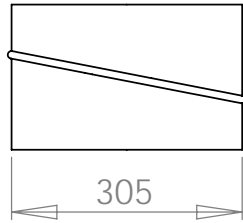


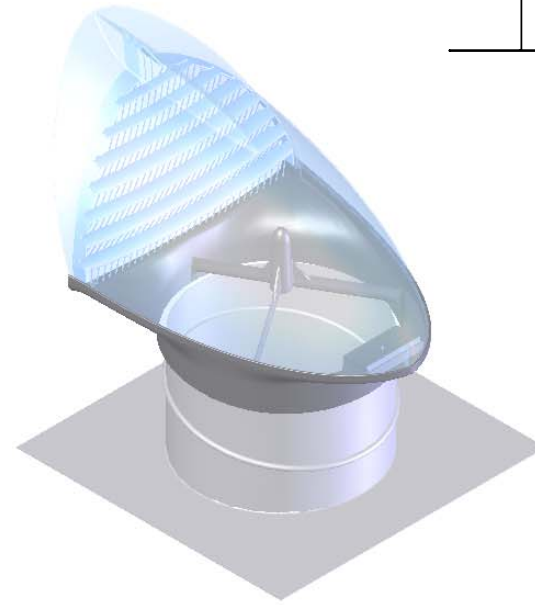
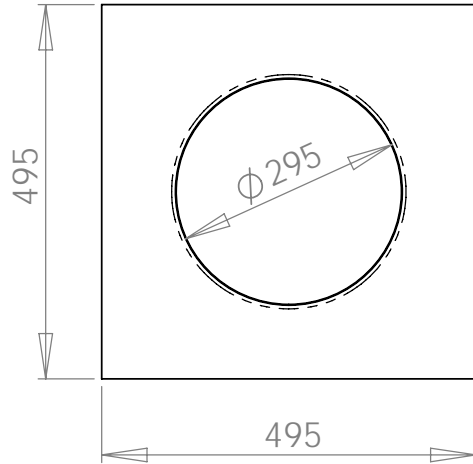
SkyVent HEAD



VARIPITCH



BASE



FEATURES:
 2 high quality precision stainless steel bearings top and bottom.
 Designed to withstand wind speeds of up to 200KM/H and entry of wind driven rain at a rate of 2.5L/sec under cyclonic conditions.
 (Refer to installation instructions for cyclonic area's)
 Has a 15 year warranty

UNLESS OTHERWISE STATED:
DO NOT SCALE
 DIMENSIONS IN
 MILLIMETERS

1:10
 SCALE



3RD ANGLE
 PROJECTION



Ph. +61 2 623 04907 PO Box 90, Coorparoo
 www.SkyVent.com.au QLD, 4151, Australia

PRODUCT NAME
SkyVent

This drawing remains the property of ESA Distribution Pty Ltd at all times and cannot be reproduced in whole or part without express written permission of ESA Distribution Pty. Ltd.
 This drawing is indicative only and can vary slightly from actual product. © 2015 ESA Distribution Pty. Ltd.

1/1
 SHEET
 A4

DATE	ISSUE	DRAWN	DESCRIPTION
07/08/07	A	LJB	ORIGINAL ISSUE